



PortaBurr Series



STANDARD FEATURES

PATENTED OVERHEAD DRIVE (OHD) an Ultramatic exclusive (patent # 3991524) produces a high energy vibratory action for faster cycle times and uniform mass roll throughout the tub length.

The (OHD) design reduces the horsepower for energy efficient operation while extending the bearing & lining life making it far superior than competitor models with side or under the tub driveshaft locations.

SOUND REDUCTION PACKAGE features a hinged, base mounted sound cover which stays on the unit and foam lined metal cabinet which keeps noise levels as low as 80 DBa.

ADJUSTABLE AMPLITUDE the factory setting rarely needs adjustment however vibrating action can be changed by adding or subtracting counterweight on the drive shaft.

110 VOLT On-off switch with 6 ft. long cord and plug, outlet for pump is provided. Other voltages available.

THE RUGGED POLYURETHANE TUB LINING is abrasion resistant to withstand heavy loads providing many years of use. A removable urethane drain plug is included.

SETTLING TANK with PUMP and hose for self contained recirculation of solution. Also converts to "flo-thru" setup for optimum part cleanliness.

CASTERS : Standard On Portaburr 3

MEDIA DISCHARGE DOOR for change out of media.

TUB RELINE EXCHANGE PROGRAM when your lining needs replacing, order a new tub and send your old one back for credit. Result is no down time.

TYPICAL APPLICATIONS:

Deburring fabricated aluminum or steel parts
Polishing boat propellers
Deburring aluminum die cast heat sinks
Degreasing automotive starter/alternator housings

Great for Powder and Ceramic Coaters
Improve surface finish on titanium ball valves
Deburring machined pinion gears and spline shafts
Pre-anodize finish on long extruded aluminum parts
Deburring of bronze water meter housings

OPTIONAL EQUIPMENT and SUPPLIES

▪ 110 VOLT CONTROL PANEL WITH 0 TO 6 HOUR TIMER ▪ Includes Timer , Compound receptacle in Nema enclosure with cord.



▪ TUB DIVIDER ▪ Bolt in Divider allows different medias to be run at one time and separates parts from contact with each other



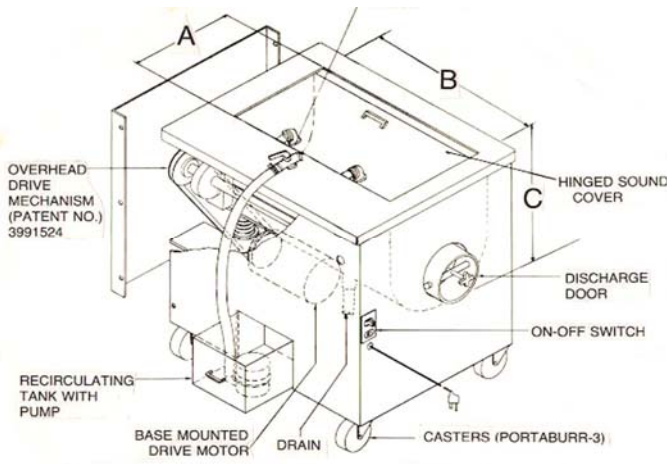
▪ ST20FS Filtration System ▪ Includes Tank with Filtration Bags & Pump. Ask for STAFS Q literature for other sizes and pricing.



▪ Media and Compound Starter Kit ▪ Includes load of media & 1 Gallon of Compound



▪ MANUAL STARTER 230/1/60 or 230/460/3/60 ▪ Power Cord Not Included



PROPS IN DRY
POLISHING MEDIA.
NOTE REMOVABLE TUB DIVIDERS

| PORTABURR MODEL | CU FT. | “ A “ TUB WIDTH | “ B “ TUB LENGTH | “ C “ TUB DEPTH | URETHANE LINING | MOTOR HP | SHIP WEIGHT | OVERALL FLOOR SPACE |
|-----------------|--------|-----------------|------------------|-----------------|-----------------|----------|-------------|---------------------|
| 3 | 3 | 15 “ | 28.5 “ | 15 “ | 1/2 “ | 3/4 | 650 lbs. | 3 ’ x 2.5 ‘ |
| 5 | 5 | 18 “ | 34.5 “ | 17 “ | 5/8 “ | 1.5 | 750 lbs. | 3.5 ’ x 3 ‘ |

UltraMatic Equipment Co.
848 S. Westgate Drive
Addison, IL. 60101
PHONE: (630) 543-4565 FAX: (630) 543-4569
www.ultramatic-equipment.com



Request an e-quote or additional information at:
sales@ultramatic-equipment.com