



ULTRAMATIC EQUIPMENT CO.

Vibratory Finishing Equipment Technology Since 1959



P Series

UltraMatic's P Series tubs are perfect for batch processing all types of jobs.



STANDARD FEATURES

PATENTED OVERHEAD DRIVE (OHD) an Ultramatic exclusive (patent # 3991524) produces a high energy vibratory action for faster cycle times and uniform mass roll throughout the tub length.

The (OHD) design reduces the horsepower for energy efficient operation while extending the bearing & lining life making it far superior than competitor models with side or under the tub driveshaft locations.

SOUND REDUCTION PACKAGE features a hinged, base mounted sound cover which stays on the unit and foam lined metal cabinet which keeps noise levels as low as 84 dBA.

ADJUSTABLE AMPLITUDE the factory setting rarely needs adjustment however vibrating action can be changed by adding or subtracting counterweight on the drive shaft.

110 VOLT On-off switch with 6 ft. long cord and plug, outlet for pump is provided. Other voltages available. *

CAST POLYURETHANE TUB LINING is abrasion resistant to withstand heavy loads providing many years of use. A removable urethane drain plug is included.

SETTLING TANK with PUMP and hose for self contained recirculation of solution. Also converts to "flo-thru" setup for optimum part cleanliness.

CASTERS : Standard On Portaburr 3

MEDIA DISCHARGE DOOR for change out of media.

TUB RELINE EXCHANGE PROGRAM when your lining needs replacing, order a new tub and send your old one back for credit. Result is no down time.

* Not applicable on P7,P10

TYPICAL APPLICATIONS

Deburring fabricated aluminum or steel parts
Thread protectors
Deburring aluminum die cast heat sinks
Degreasing automotive starter/alternator housings
Polishing boat propellers

Great for Powder and Ceramic Coaters
Improve surface finish on titanium ball valves
Deburring machined pinion gears and spline shafts
Pre-anodize finish on long extruded aluminum parts
Deburring of bronze water meter housings

OPTIONAL EQUIPMENT and SUPPLIES

▪ 110 VOLT PROCESS TIMER ▪ Includes Timer , Dual Compound receptacles with corded plug.



▪ TUB DIVIDER ▪ Bolt in Divider allows different medias to be run at one time and separates parts from contact with each other



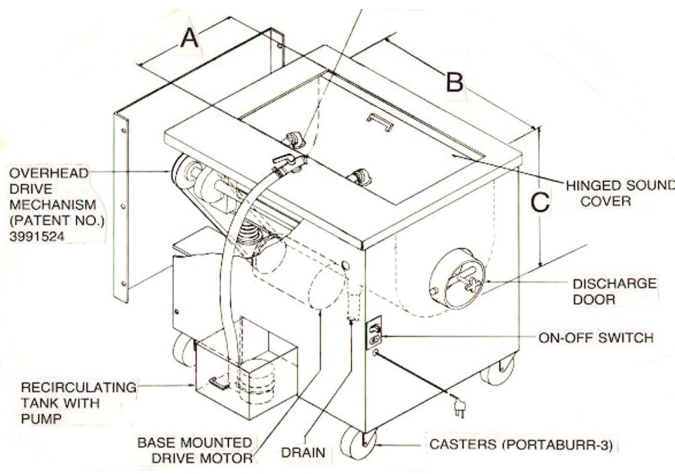
▪ ST15FS Filtration System ▪ Includes Tank with Filtration Bags & Pump. Available in 15,23,40,90 gallon sizes.



▪ Media and Compound Starter Kit ▪ Includes load of media & 5 Gallon of Compound



▪ AC VARIABLE SPEED DRIVE ▪ 230/460/3/60



MODEL	P3	P5
CAPACITY	3	5
A	15"	18"
B	28.5"	34.5"
URETHANE	1/2"	5/8"
HP	3/4	1.5
VOLTAGE	110 VOLT	110 VOLT
SHIP WEIGHT	650 LBS	750 LBS

VIDEO IS AVAILABLE ON OUR WEBSITE

FOR INFORMATION ON **MODELS P7 AND P10** REFER TO P7 P10 SERIES LITERATURE

UltraMatic Equipment Co.
 848 S. Westgate St.
 Addison, IL. 60101
 (630) 543-4565
 sales@ultramic-equipment.com